

### PRODUCT DETAILS

BIANCO NXT PTF end suction peripheral turbine pump is ideal for pumping uncontaminated liquids in applications where low flow rates have to be pumped at high pressure.

Especially suited for use as jacking pumps in commercial and industrial applications and also for small domestic situations. PTF pumps are ideal for tank water transfer.

Suitable for clean water applications where there is flooded suction.



### APPLICATIONS

- Small domestic pressure boosting systems
- Gardening
- Industrial or commercial applications such as boiler feed systems, cooling, circulation or as pumps for the chemical industry.
- Water transfer

### FEATURES

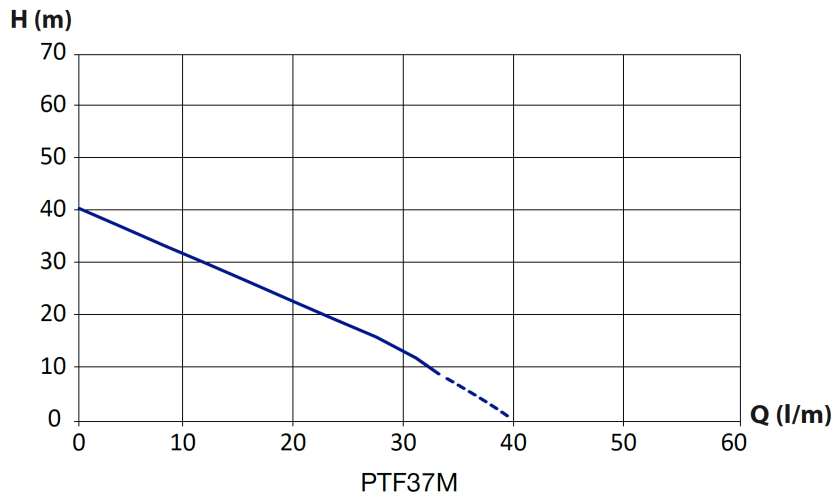
- Compact, simple design
- Close coupled 240V single phase TEFC motor with in-built auto reset thermal overload
- Robust and reliable
- Cast iron housing with cathaphoresis corrosion resistant coating and bronze impeller

### TECHNICAL DATA

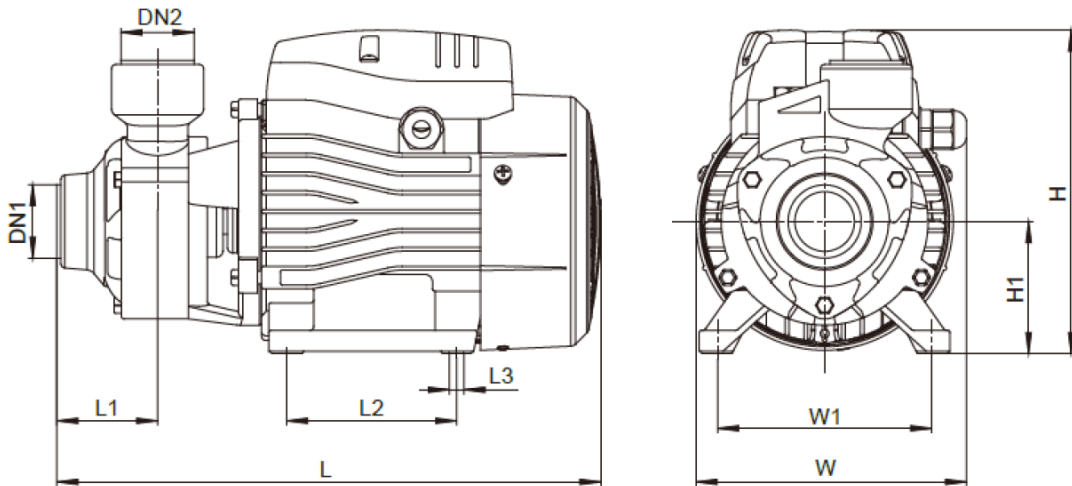
<b>RATED POWER (W)</b>	0.37kW
<b>MAX. FLOW [LPM]</b>	40 l/min
<b>MAX. HEAD [M]</b>	40 m
<b>MAX OPERATING PRESSURE</b>	6 bar
<b>MOTOR INSULATION</b>	F Class
<b>MOTOR PROTECTION</b>	In-built thermal overload
<b>MAX AMBIANT TEMP</b>	40 deg C
<b>MAX LIQUID TEMPERATURE</b>	3 - 40 deg C
<b>MECHANICAL SEAL</b>	Carbon/Ceramic/Nitrile
<b>AUTOMATION FUNCTION</b>	Bare pump

<b>RATED VOLTAGE</b>	230v (-6%, +10%) 1 PH 50 Hz
<b>RATED CURRENT</b>	2.5 amps
<b>CAPACITOR</b>	8uF 450V
<b>POWER CABLE TYPE</b>	1.5m H07 3G1.0 Cable
<b>PROTECTION CLASS</b>	IP44
<b>IMPELLERS</b>	Single
<b>INLET</b>	1" BSPF
<b>OUTLET</b>	1" BSPF
<b>PACKAGING DIMENSIONS</b>	283 x 158 x 174
<b>GROSS WEIGHT (KG)</b>	5.5kg

## CURVE



## DIMENSIONS



Model	DN1	Dn2	L (mm)	W (mm)	H (mm)	L1 (mm)	L2 (mm)	L3 (mm)	W1 (mm)	H1 (mm)
PTF 37	G1"	G1"	260	132	155	46.5	80	8.5	100	63

## WARRANTY / CERTIFICATIONS

